

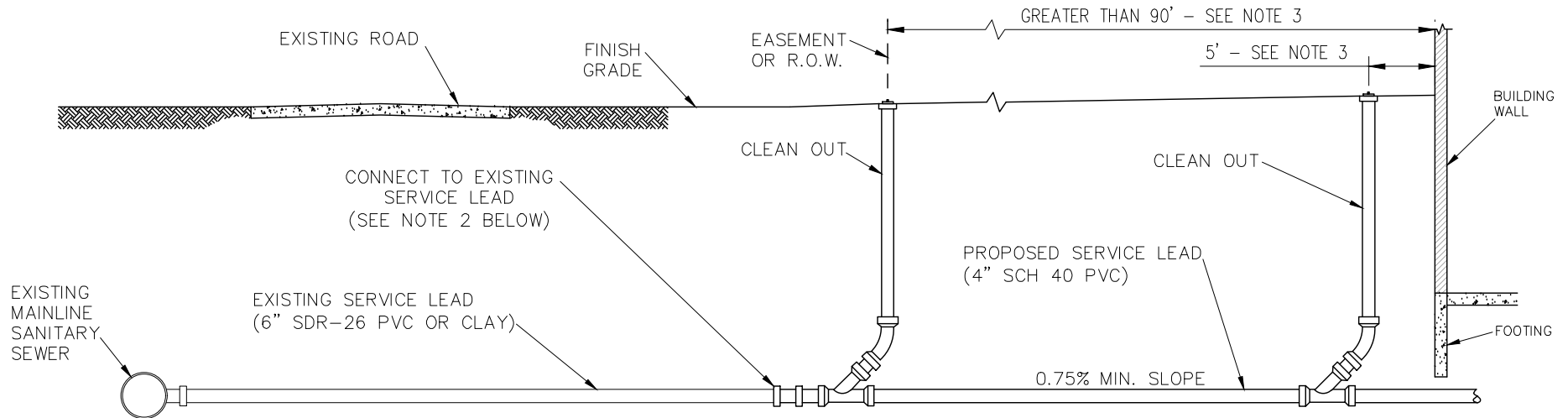
CHARTER TOWNSHIP OF GRAND BLANC

LONG SIDE SANITARY SEWER LEAD CONNECTION DETAIL

MAILING ADDRESS:
PO BOX 1833
GRAND BLANC, MI
48480-0057

PHONE:
(810) 424-2640
FAX:
(810) 694-2881

PHYSICAL ADDRESS:
5371 S. SAGINAW STREET
FLINT, MI
48507



NOTES

- CLEAN OUTS THAT ARE REQUIRED AT THE PROPERTY/EASEMENT LINE SHALL BE 6" SDR-26 PVC AND CLEAN OUTS THAT ARE WITHIN 5 FEET OF THE STRUCTURE SHALL BE 4" SCH 40 PVC FOR RESIDENTIAL AND 4" SCH 40 PVC OR 6" SDR-26 PVC FOR COMMERCIAL, DEPENDING ON THE TYPE OF FACILITY AND OTHER REQUIREMENTS.
- WHEN CONNECTING TO AN EXISTING SERVICE LEAD AT THE PROPERTY LINE, THE CONTRACTOR SHALL USE ONE OF THE FOLLOWING CONNECTIONS:
 - 6" SDR-26 PVC TO 6" SDR-26 PVC: SDR-26 PVC GASKET COUPLING
 - 6" CLAY TO 6" SDR-26 PVC: FERNCO STRONG BACK 1002-66RC
 - 6" CLAY TO 4" SCH 40 PVC: FERNCO STRONG BACK 1002-64RC
 - 6" SDR-26 PVC TO 4" SCH 40 PVC: PLASTIC 6"x4" SOLVENT WELD OR GASKET COUPLING OR FERNCO STRONG BACK 1056-64RC
- NO CLEAN OUT IS REQUIRED AT THE PROPERTY/EASEMENT LINE ON SHORT SIDE CONNECTIONS LESS THAN 90 FEET. A CLEAN OUT IS REQUIRED AT THE PROPERTY/EASEMENT LINE FOR SHORT SIDE CONNECTIONS LONGER THAN 90 FEET AND LONG SIDE CONNECTIONS. CLEAN OUTS SHALL BE PROVIDED AT 90 FOOT MINIMUM SPACING ALONG STRAIGHT RUNS AND AT ALL BENDS. A CLEAN OUT IS REQUIRED BY PLUMBING CODE WITHIN 5 FEET OF THE STRUCTURE ON ANY TYPE OF LEAD CONNECTION.
- NO TAPS, SERVICES, OR FIXTURES (CLEANOUTS, MANHOLES, ETC.) WILL BE PERMITTED IN/UNDER A DRIVEWAY OR SIDEWALK AREA.
- THIS DETAIL APPLIES TO NEW CONNECTIONS TO AN EXISTING LAID LEAD ONLY. GRAND BLANC TOWNSHIP SANITARY SEWER CONSTRUCTION STANDARD DETAILS SHALL APPLY FOR MAINLINE SEWER CONSTRUCTION.

LAST UPDATED: AUGUST, 2020